

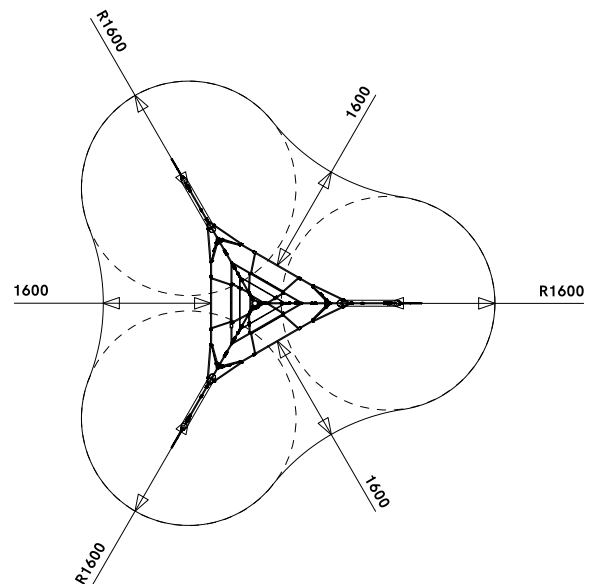
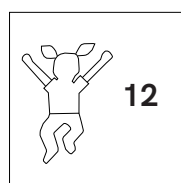
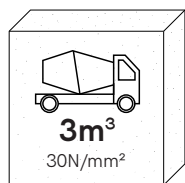
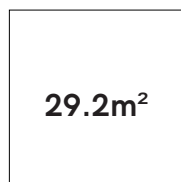
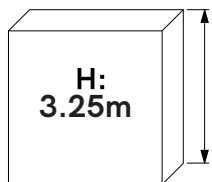
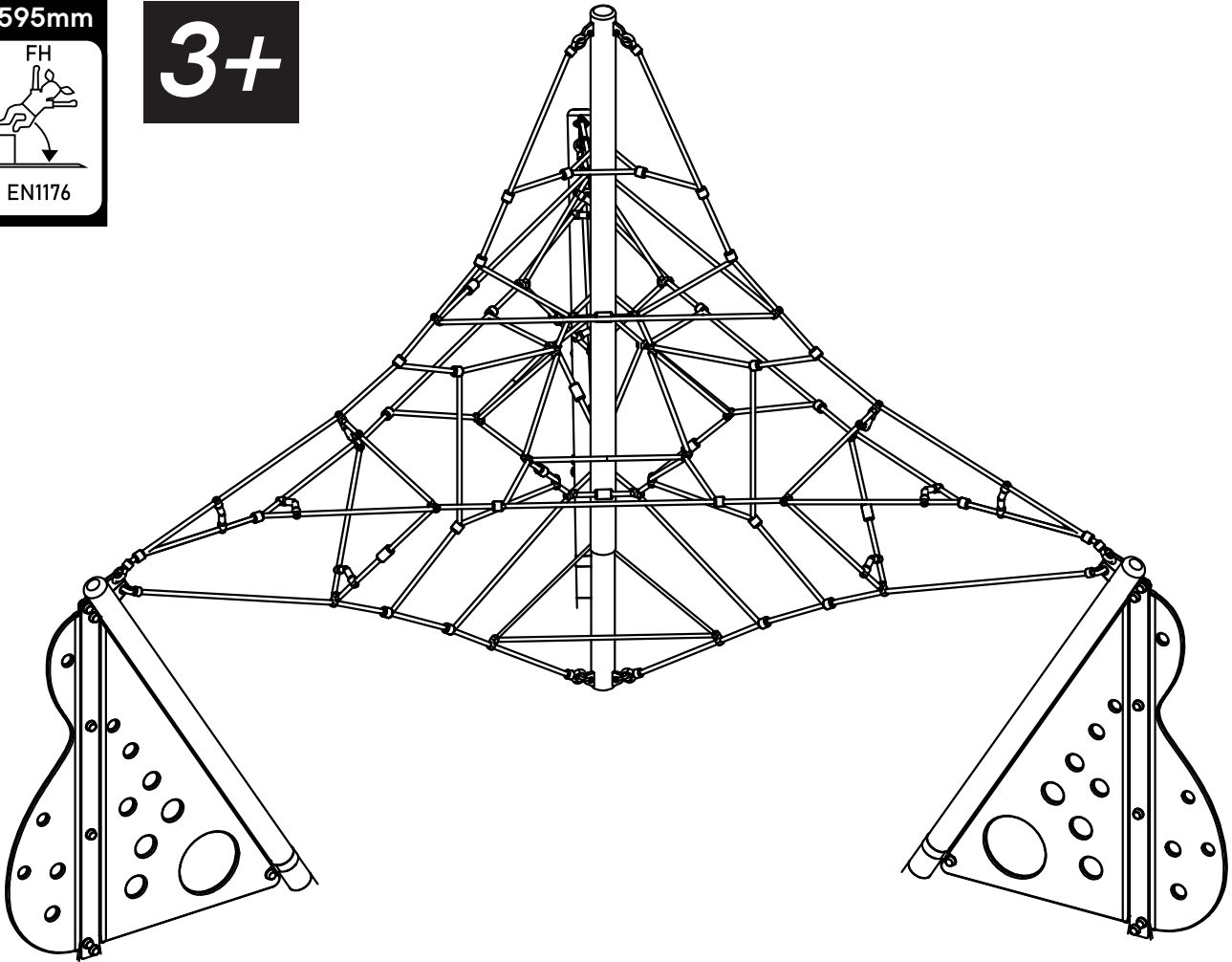


LEVITATOR 3

TAY-LEV3-V1.2.2
EN1176-1:2017 | EN1176-11:2014



3+





Telescopic Tensioning 'Levigator' Stainless Steel Mast



Stainless Steel Legs



Optional:
Strip HDPE Panel



Optional:
Full HDPE Panel



Fibre Core



Tayplay's Stainless Steel Locked Keys



Tayplay's Secure Pressed Aluminium Connector



Pressed Aluminium Ferrules



Product Identification Plate