



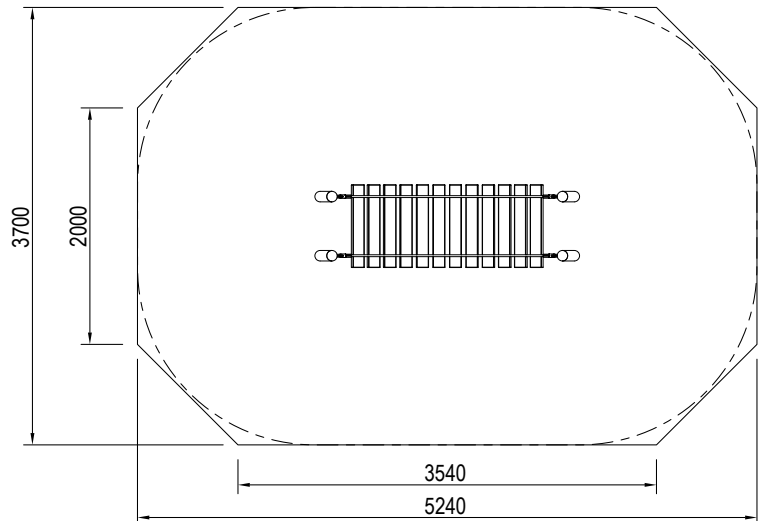
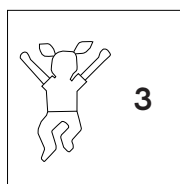
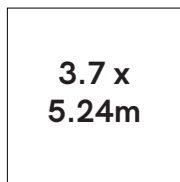
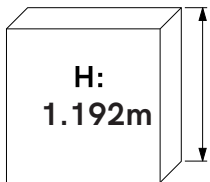
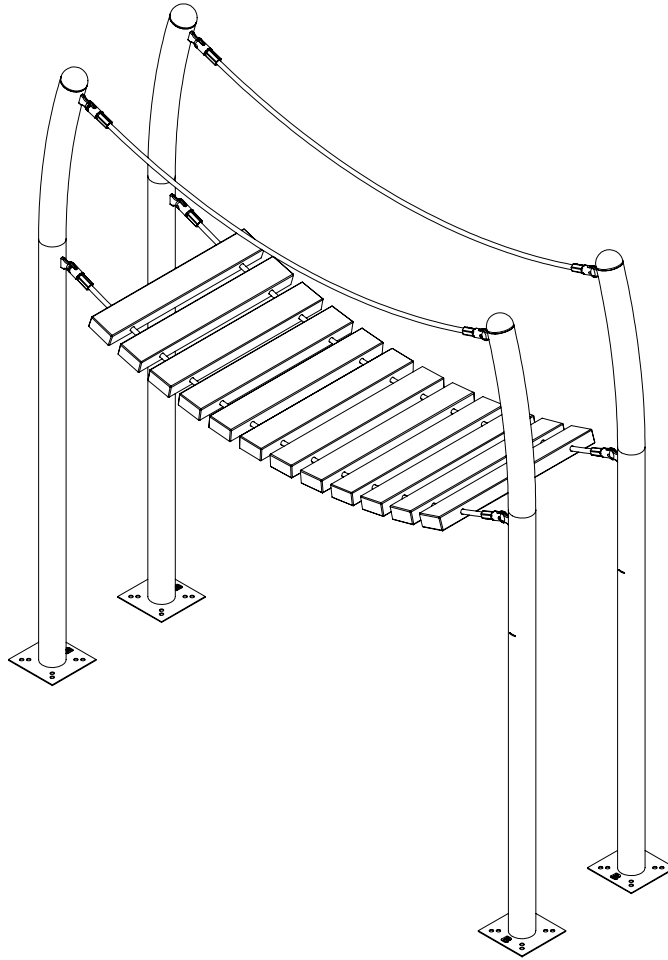
Swilcan **TRAIL**

78601011

EN1176-1:2017 | EN1176-11:2014



5+





Black Powdercoat Steelwork



16mm & 18mm Braided Rope



Recycled Rubber & Plastic



Aluminium Trapeze



10mm Flexform



Pressed Aluminium Ferrules



Pressed Aluminium Connectors



Combine into a play TRAIL



Climb, Balance, Traverse, Run, & Jump



Recycled Rubber Steppers